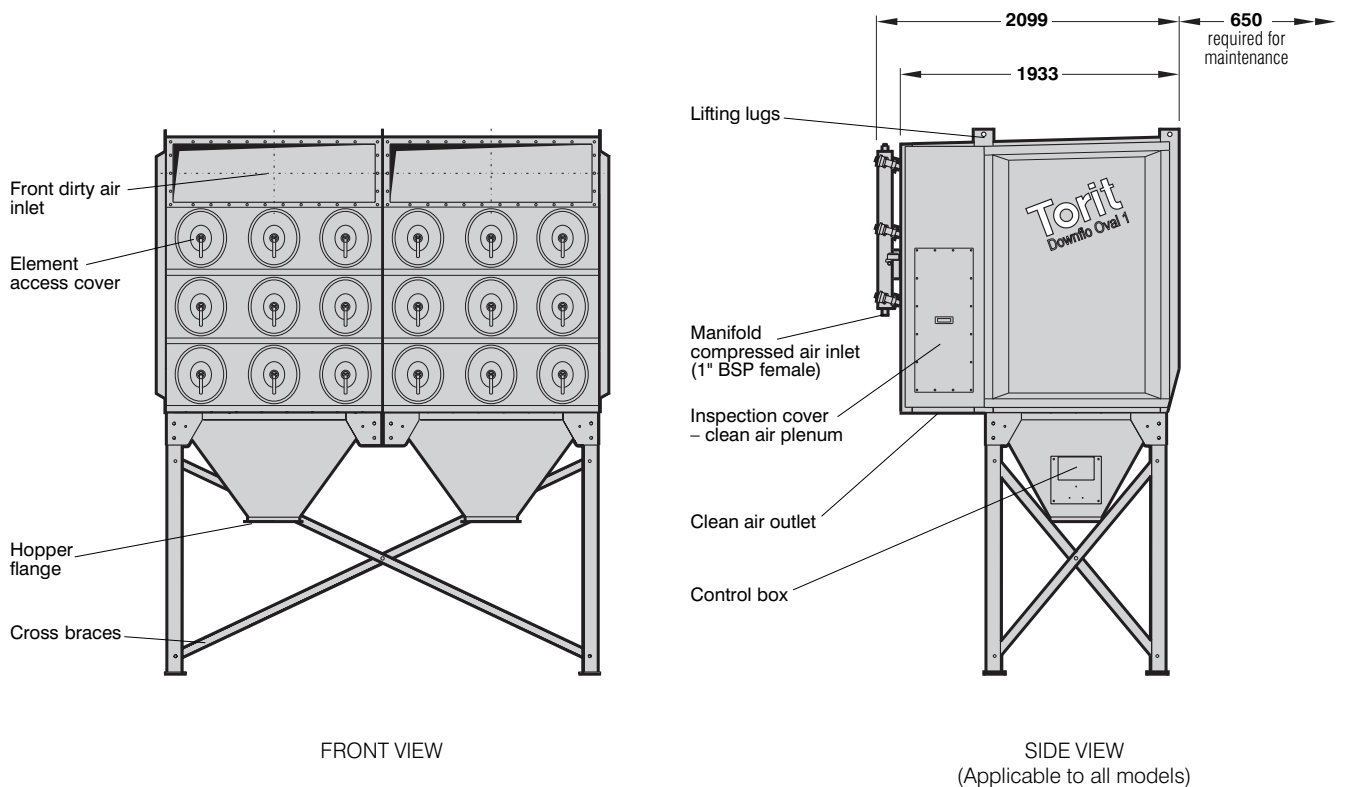


# Downflo® Oval 1 Dust Collector



## DFO standard dust collector

Model DFO 3-36 illustrated.

### DESIGN SPECIFICATIONS (standard equipment)

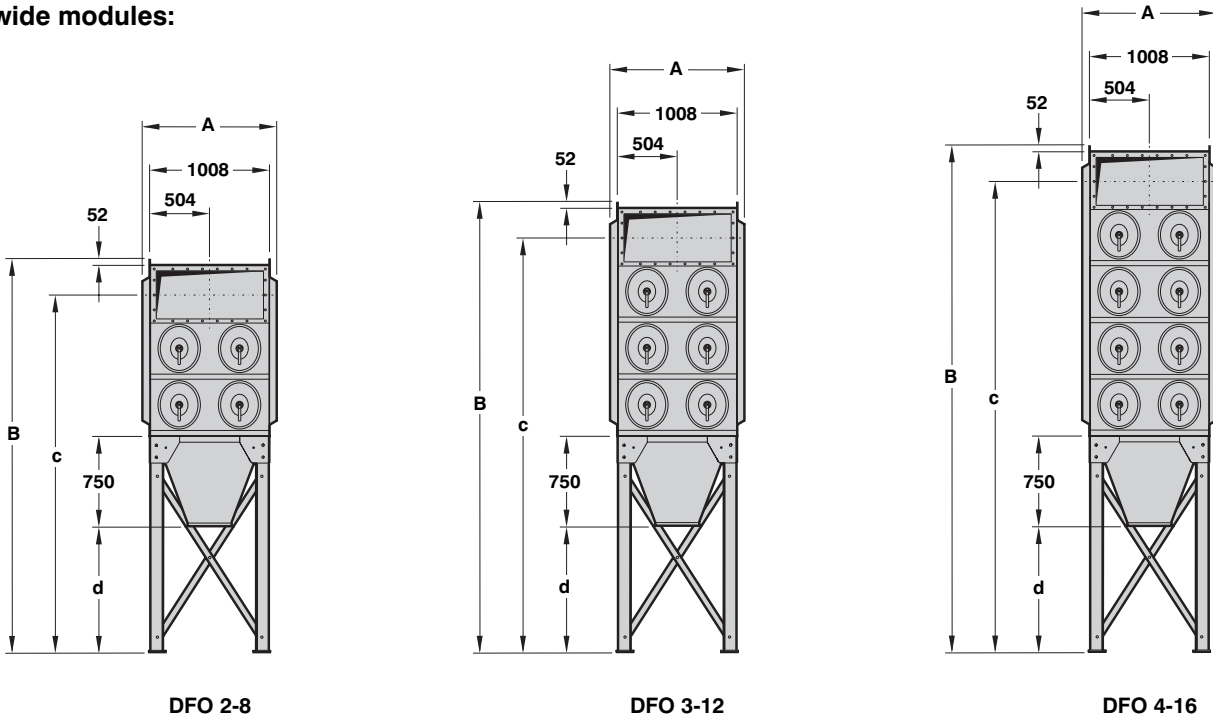
**Operating temperature:**  $-10^{\circ}$  to  $+65^{\circ}\text{C}$

**Maximum operating pressure range:**  $\pm 5$  kPa (500 mm WG)

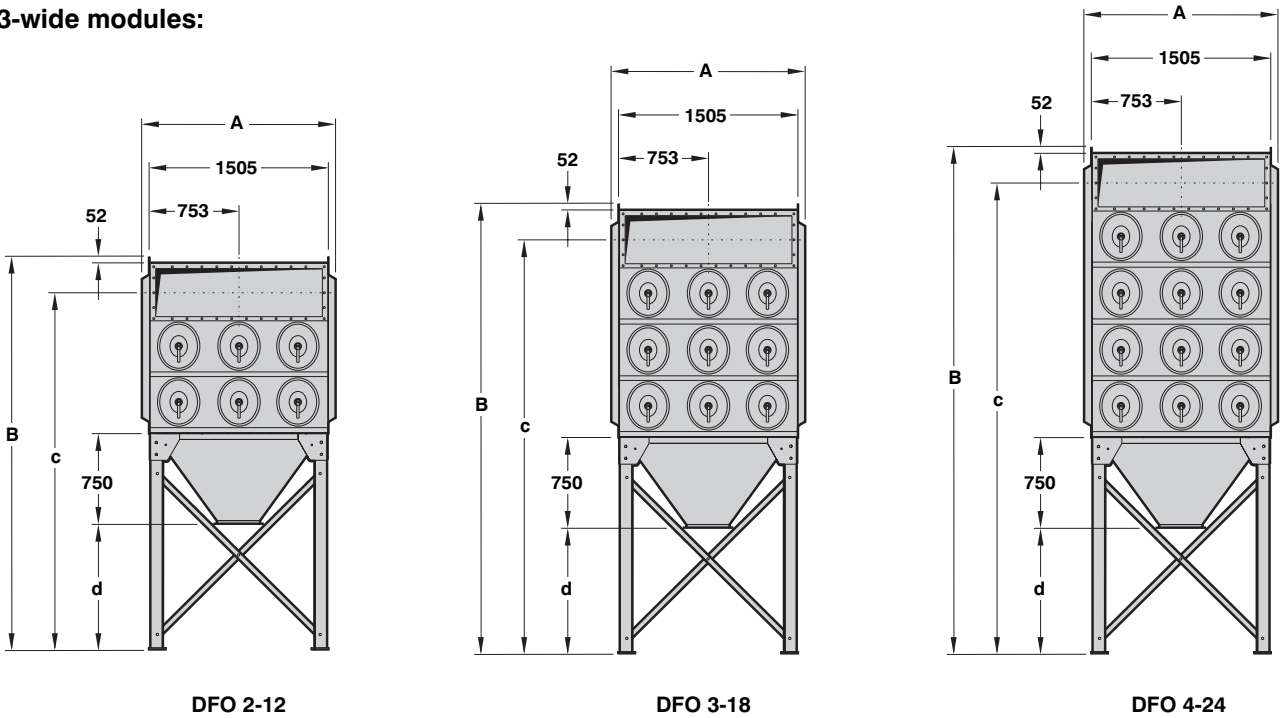
**Wind load rating:** 160 km/h

**Finishing:** Acrylated alkyd paint colour RAL 5019 (blue) – semi gloss

**2-wide modules:**



**3-wide modules:**



FRONT VIEWS

**DFO standard dust collector**

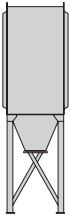
Refer also to 'Specifications' table on page 3.  
Larger collectors are configured from suitable combinations of the above modules – refer also to page 4.



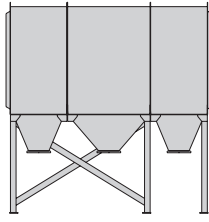
Model	No. of modules*	Filtration area Ultra Web®	SPECIFICATIONS		DIMENSIONS in mm				Approx. net weight
			No. of filter elements	No. of valves	A	B	c	d	
<b>DFO 2-8</b>	1	141.2 m <sup>2</sup>	8	4	1138	2645	2340	400	810 kg** <sup>‡</sup>
					1138	3310	3005	1065	
					1138	3745	3440	1500	
<b>DFO 2-12</b>	1	211.8 m <sup>2</sup>	12	6	1635	2645	2340	400	975 kg** <sup>‡</sup>
					1635	3310	3005	1065	
					1635	3745	3440	1500	
<b>DFO 2-16</b>	2	282.4 m <sup>2</sup>	16	8	2146	2645	2340	400	1270 kg** <sup>‡</sup>
					2146	3310	3005	1065	
					2146	3745	3440	1500	
<b>DFO 3-12</b>	1	211.8 m <sup>2</sup>	12	6	1138	3118	2813	400	960 kg** <sup>‡</sup>
					1138	3783	3478	1065	
					1138	4218	3913	1500	
<b>DFO 3-18</b>	1	317.7 m <sup>2</sup>	18	9	1635	3118	2813	400	1170 kg** <sup>‡</sup>
					1635	3783	3478	1065	
					1635	4218	3913	1500	
<b>DFO 3-24</b>	2	423.6 m <sup>2</sup>	24	12	2146	3118	2813	400	1700 kg** <sup>‡</sup>
					2146	3783	3478	1065	
					2146	4218	3913	1500	
<b>DFO 3-36</b>	2	635.4 m <sup>2</sup>	36	18	3140	3118	2813	400	2075 kg** <sup>‡</sup>
					3140	3783	3478	1065	
					3140	4218	3913	1500	
<b>DFO 3-48</b>	3	847.2 m <sup>2</sup>	48	24	4148	3118	2813	400	2690 kg** <sup>‡</sup>
					4148	3783	3478	1065	
					4148	4218	3913	1500	
<b>DFO 4-16</b>	1	282.4 m <sup>2</sup>	16	8	1138	3591	3286	400	1120 kg** <sup>‡</sup>
					1138	4256	3951	1065	
					1138	4691	4386	1500	
<b>DFO 4-24</b>	1	423.6 m <sup>2</sup>	24	12	1635	3591	3286	400	1365 kg** <sup>‡</sup>
					1635	4256	3951	1065	
					1635	4691	4386	1500	
<b>DFO 4-32</b>	2	564.8 m <sup>2</sup>	32	16	2146	3591	3286	400	1790 kg** <sup>‡</sup>
					2146	4256	3951	1065	
					2146	4691	4386	1500	
<b>DFO 4-40</b>	2	706.0 m <sup>2</sup>	40	20	2643	3591	3286	400	2135 kg** <sup>‡</sup>
					2643	4256	3951	1065	
					2643	4691	4386	1500	
<b>DFO 4-48</b>	2	847.2 m <sup>2</sup>	48	24	3140	3591	3286	400	2490 kg** <sup>‡</sup>
					3140	4256	3951	1065	
					3140	4691	4386	1500	
<b>DFO 4-56</b>	3	988.4 m <sup>2</sup>	56	28	3651	3591	3286	400	2765 kg** <sup>‡</sup>
					3651	4256	3951	1065	
					3651	4691	4386	1500	
<b>DFO 4-64</b>	3	1129.6 m <sup>2</sup>	64	32	4148	3591	3286	400	3190 kg** <sup>‡</sup>
					4148	4256	3951	1065	
					4148	4691	4386	1500	
<b>DFO 4-72</b>	3	1270.8 m <sup>2</sup>	72	36	4645	3591	3286	400	3615 kg** <sup>‡</sup>
					4645	4256	3951	1065	
					4645	4691	4386	1500	
<b>DFO 4-80</b>	4	1412.0 m <sup>2</sup>	80	40	5156	3591	3286	400	4000 kg** <sup>‡</sup>
					5156	4256	3951	1065	
					5156	4691	4386	1500	
<b>DFO 4-88</b>	4	1553.2 m <sup>2</sup>	88	44	5653	3591	3286	400	4275 kg** <sup>‡</sup>
					5653	4256	3951	1065	
					5653	4691	4386	1500	
<b>DFO 4-96</b>	4	1694.4 m <sup>2</sup>	96	48	6150	3591	3286	400	4570 kg** <sup>‡</sup>
					6150	4256	3951	1065	
					6150	4691	4386	1500	
<b>DFO 4-104</b>	5	1835.6 m <sup>2</sup>	104	52	6661	3591	3286	400	4935 kg** <sup>‡</sup>
					6661	4256	3951	1065	
					6661	4691	4386	1500	
<b>DFO 4-112</b>	5	1976.8 m <sup>2</sup>	112	56	7158	3591	3286	400	6240 kg** <sup>‡</sup>
					7158	4256	3951	1065	
					7158	4691	4386	1500	
<b>DFO 4-120</b>	5	2118.0 m <sup>2</sup>	120	60	7655	3591	3286	400	6425 kg** <sup>‡</sup>
					7655	4256	3951	1065	
					7655	4691	4386	1500	
<b>DFO 4-128</b>	6	2259.2 m <sup>2</sup>	128	64	8166	3591	3286	400	6850 kg** <sup>‡</sup>
					8166	4256	3951	1065	
					8166	4691	4386	1500	

\*For module configurations refer to pages 2 and 4. \*\*Indicates heaviest configuration (1500 mm hopper clearance).  
 For reinforced units refer to detailed outlines. <sup>‡</sup>Increase weight by 15% for reinforced units.

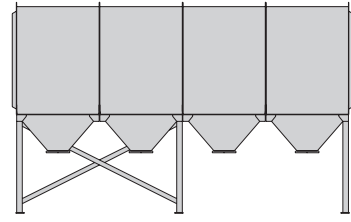
**Downflo® Oval 1 Dust Collector**



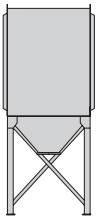
**DFO 2-8  
DFO 3-12  
DFO 4-16**



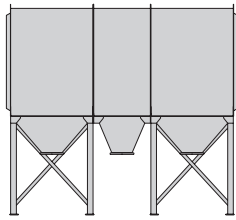
**DFO 4-56**



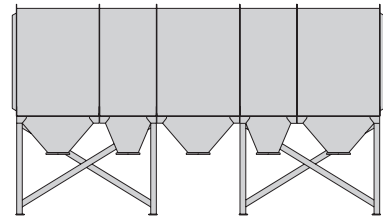
**DFO 4-96**



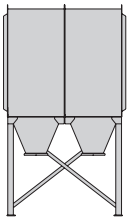
**DFO 2-12  
DFO 3-18  
DFO 4-24**



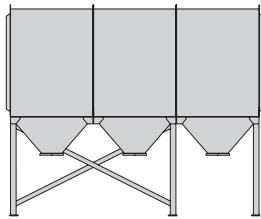
**DFO 3-48  
DFO 4-64**



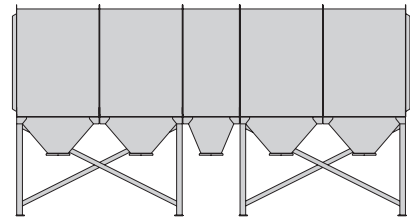
**DFO 4-104**



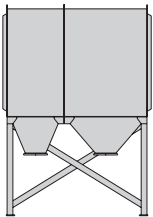
**DFO 2-16\*  
DFO 3-24\*  
DFO 4-32\***



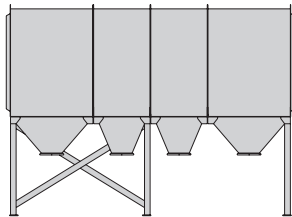
**DFO 4-72**



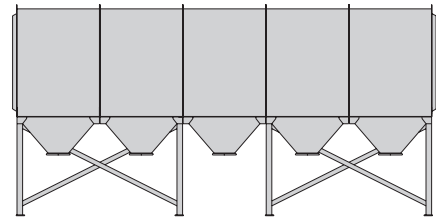
**DFO 4-112**



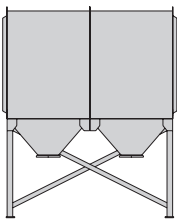
**DFO 4-40**



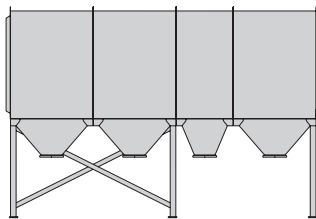
**DFO 4-80**



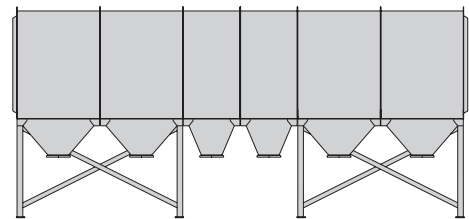
**DFO 4-120**



**DFO 3-36  
DFO 4-48**



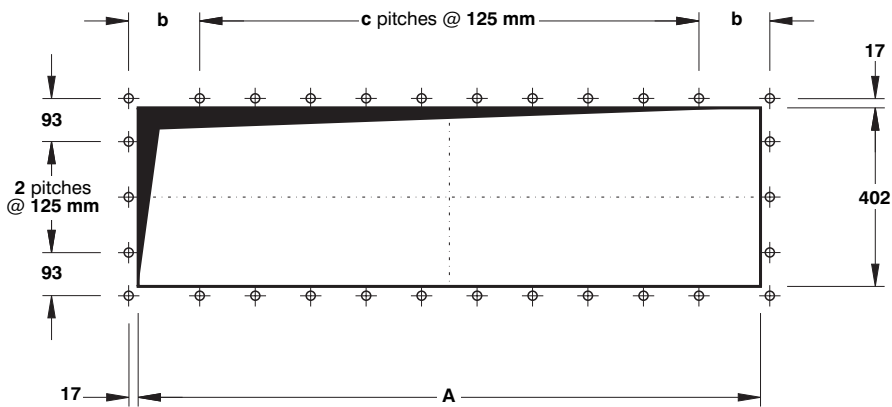
**DFO 4-88**



**DFO 4-128**

**Module configurations**

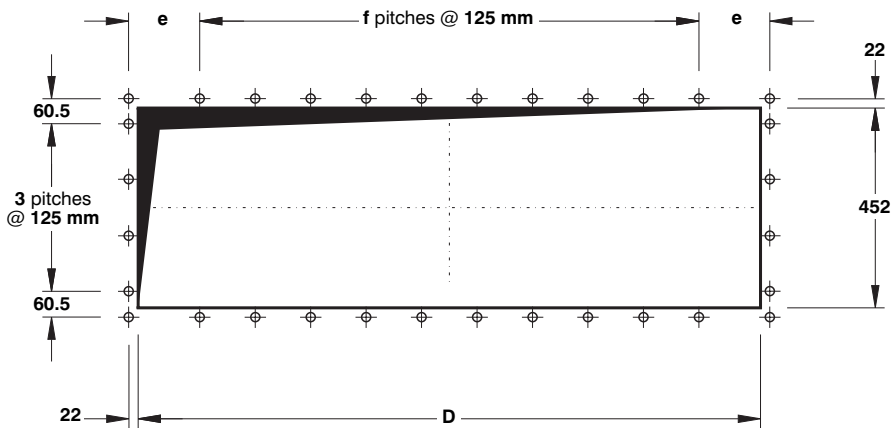
\*Single hopper is also available for these models.



**Dirty air inlet details**

3-wide module illustrated.

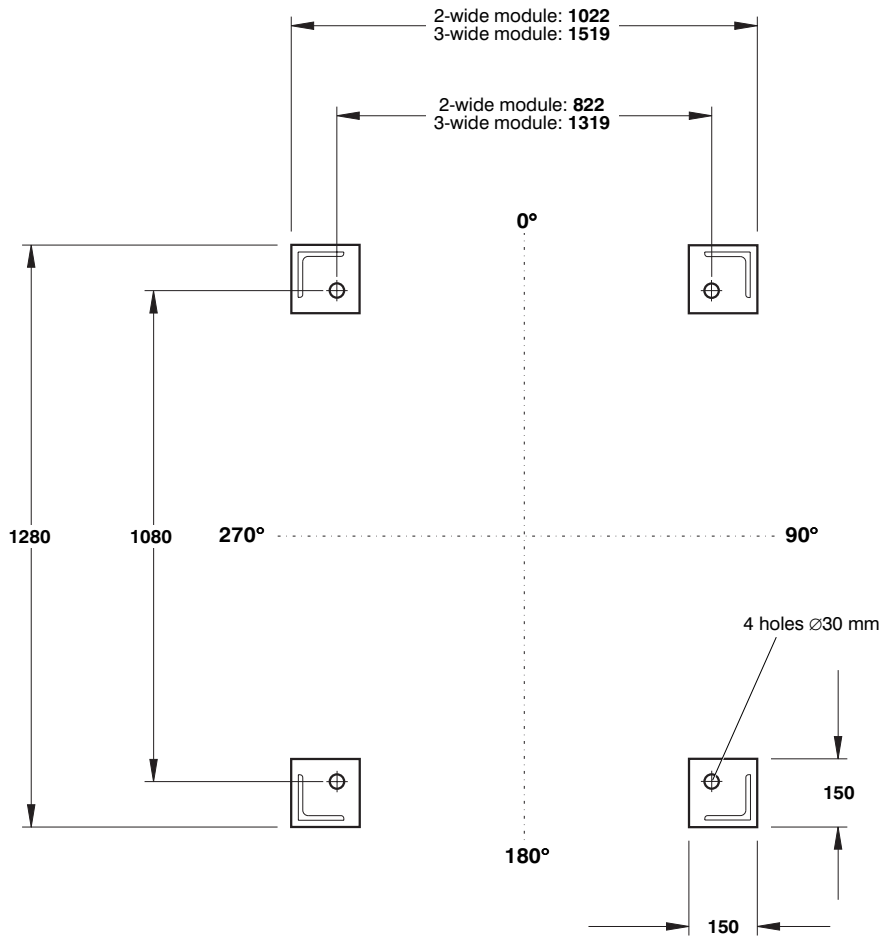
	Nominal □	DIMENSIONS in mm			No. of holes (M10 threaded)
		A	b	c	
<b>2-wide module</b>	400 x 930	932	170.5	5	22
<b>3-wide module</b>	400 x 1400	1402	155.5	9	30



**Clean air outlet details**

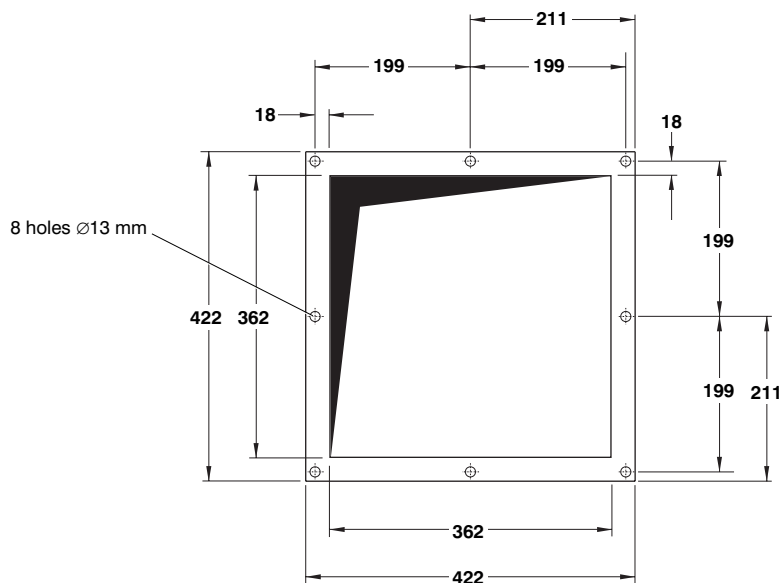
3-wide module illustrated.

	D	DIMENSIONS in mm		No. of holes (M10 threaded)
		e	f	
<b>2-wide module</b>	902	160.5	5	24
<b>3-wide module</b>	1399	159	9	32

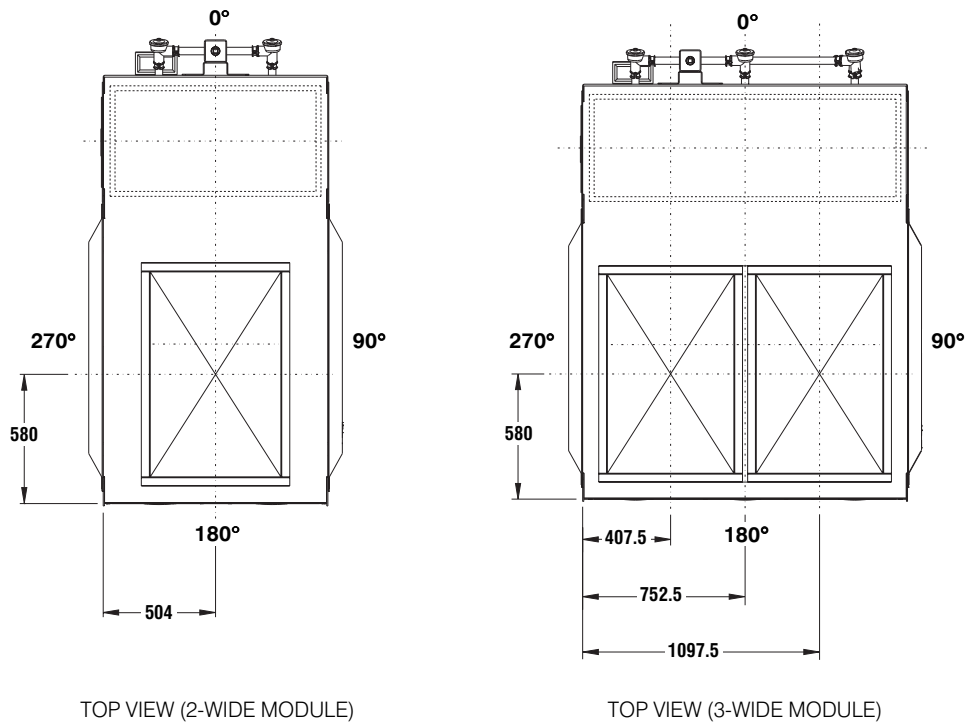


**Foundation details for standard models**

2-wide module illustrated.



**Hopper flange details (362 x 362)**



**DFO reinforced version – standard venting position**  
 (Refer to detailed outlines for reinforced units)

**COMPRESSED AIR REQUIREMENTS**

- Max. 7 bar
- Pressure range 6-7 bar
- Clean air (max. particle size 50 µm)
- Free of condensate at working temperature
- Max. oil content: 3 mg/m<sup>3</sup>
- Approx. compressed air usage\*: ±45 Nlitres per pulse  
 (±16.2 Nm<sup>3</sup>/h for 10 s pulse interval at 7 bar)

\* The indicated value is the consumption per valve

**ELECTRICAL SPECIFICATIONS**

**Controls**

- Full automatic cleaning mechanism: IPC / IPC (ΔP) controller
- Pulse time: 100 ms
- Interval time: 12 s
- Voltage input: 24V DC, 110V AC or 230V AC; 1 ph; 50 Hz; 0.15 kW
- Protection class: IP65
- Solenoid voltage: 24V DC

## NOISE LEVEL \*

### Pulse noise\*

LpAeq: ≤ 78 dB (A-weighted equivalent continuous sound pressure level)

ΔLi: ≤ 10 dB (impulsive noise content)

\* Measurement according to DIN 45635/1 at 1m distance, with 6 bar compressed air pressure, pulse interval of 15s, semi-free field conditions and usual tolerance ±2 dB.

## OPTIONS

- Execution for outside installation
- Full range of filter elements
- Variable hopper clearance
- Pulse noise attenuation down to LpAeq ≤ 70 dB
- Full range of dust disposal systems
- Front inlet adaptor pieces
- Abrasive inlet boxes
- Earthing
- Vibrator
- Sprinkler
- Oil/water separator
- Platform
- Bag in / Bag out
- Full range of fan sets and ducting



[www.toritdce.com](http://www.toritdce.com)  
[www.donaldson.com](http://www.donaldson.com)

Humberstone Lane  
Thurmaston  
Leicester LE4 8HP  
England

Tel +44 (0)116 269 6161  
Fax +44 (0)116 269 3028

Email: [IFSG.uk@emea.donaldson.com](mailto:IFSG.uk@emea.donaldson.com)

Research Park Zone 1  
Interleuvenlaan 1  
B-3001 Leuven (Heverlee)  
Belgium

Tel +32 (0)16 383 970  
Fax +32 (0)16 383 938

Email: [IFSG.be@emea.donaldson.com](mailto:IFSG.be@emea.donaldson.com)