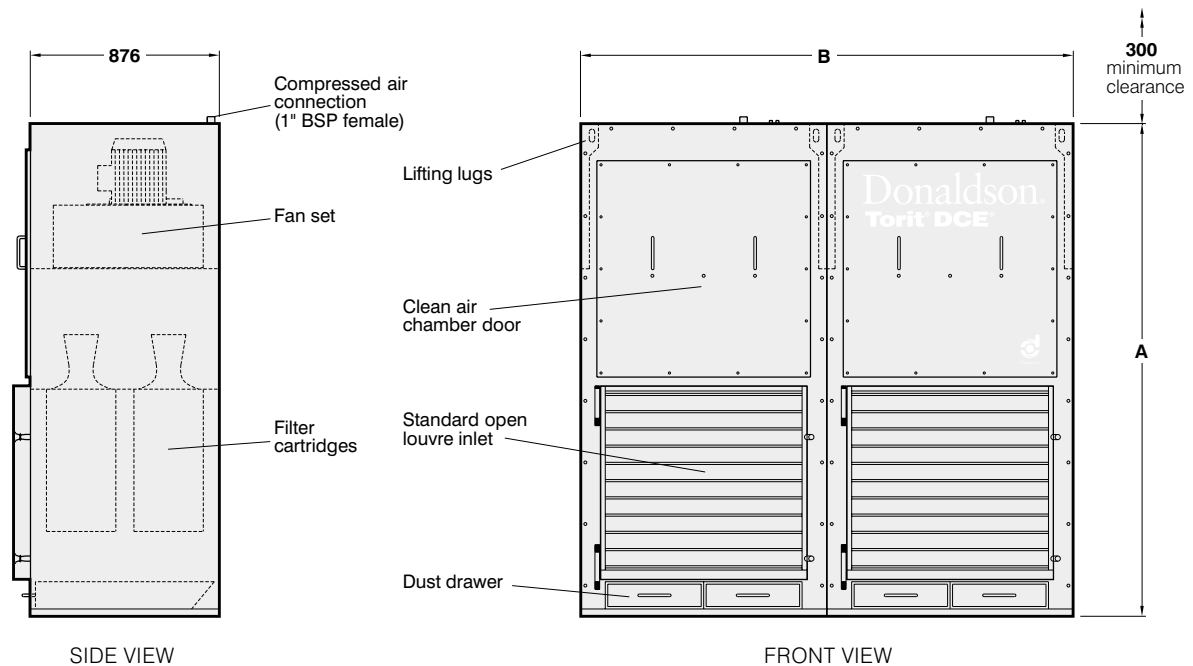


Environmental Control Booth Dust Collector



ECB DUST COLLECTOR
(ECB-2 illustrated)

SPECIFICATIONS

Model	Number of fan sets	Number of filter cartridges	Filtration area		DIMENSIONS in mm		Net weight (approx.)
			Ultra Web®	Fibra Web®	A	B	
ECB FM	0	6	126 m ²	61.8 m ²	1613	1143	300 kg
ECB PM	1	6	126 m ²	61.8 m ²	2286	1143	560 kg
ECB-2	2	12	252 m ²	124.0 m ²	2286	2286	1120 kg
ECB-3	3	18	378 m ²	185.4 m ²	2286	3429	1680 kg
ECB-4	4	24	504 m ²	248.0 m ²	2286	4572	2240 kg

FM = Filtration Module PM = Power Module

For information on larger configurations, please contact your local Donaldson representative

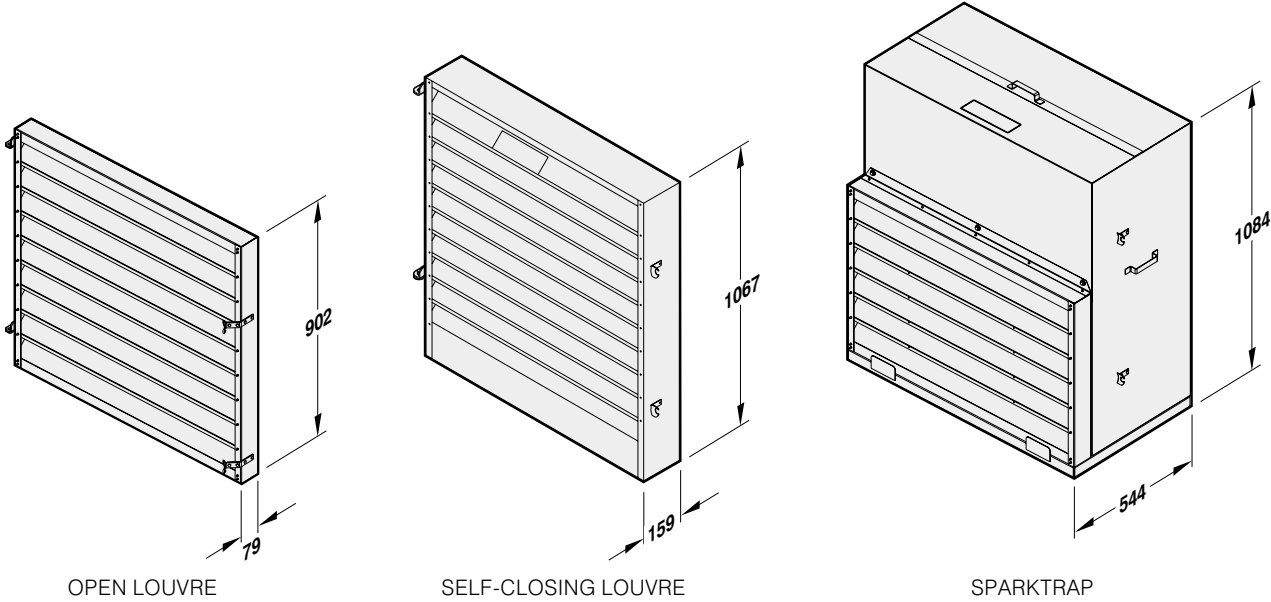
DESIGN SPECIFICATIONS (standard equipment)

Operating temperature: -10° to +65°C

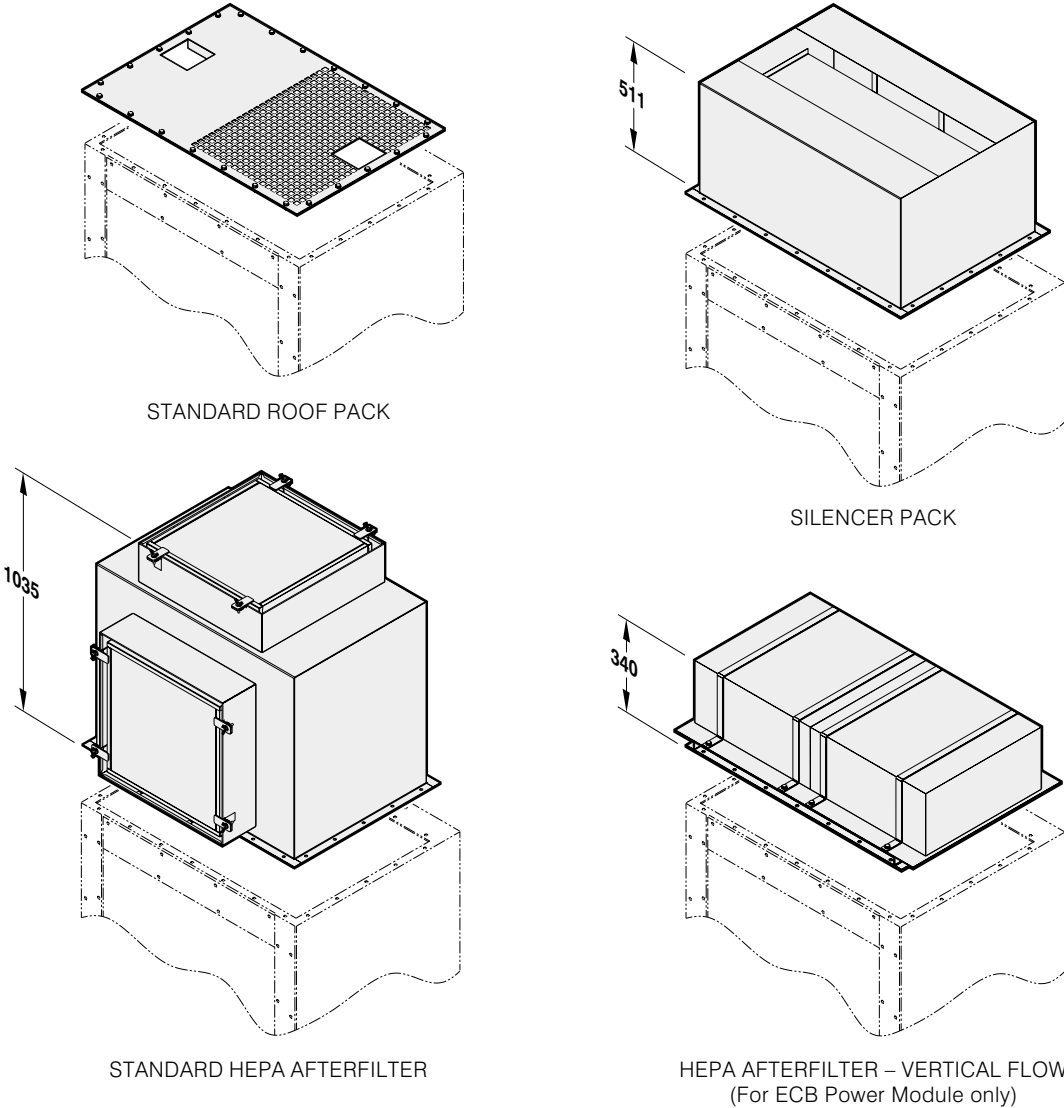
Maximum operating pressure range: ±5 kPa (500 mm WG)

Wind load rating: 160 km/h

Finishing: Colour RAL 5019 (blue) – textured paint 480 line



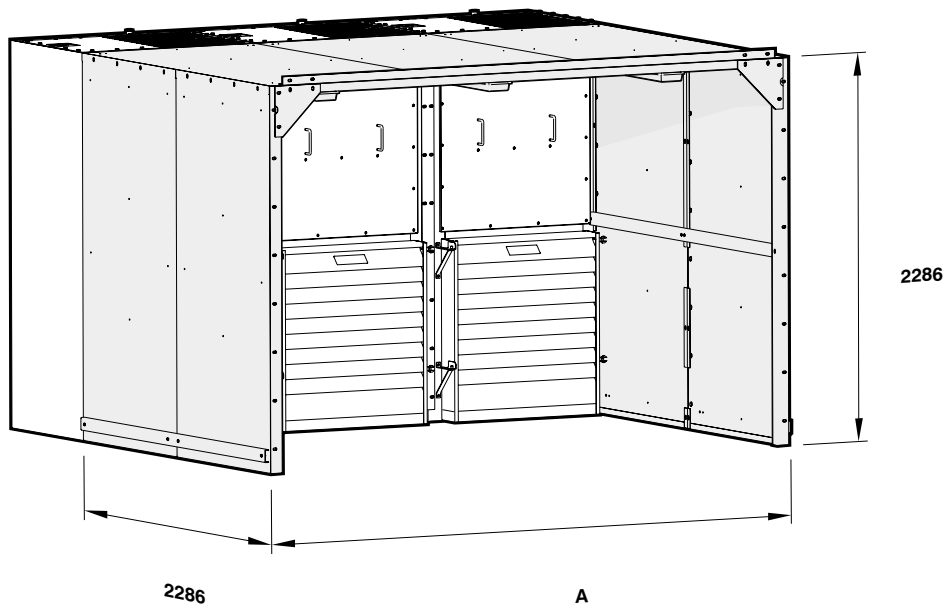
DIRTY AIR INLET OPTIONS



CLEAN AIR OUTLET OPTIONS

Data Sheet

ECB Dust Collectors



BOOTH PACK WITH LIGHTING FIXTURES
(Booth Pack for ECB-3 illustrated)

BOOTH PACK SPECIFICATIONS

Booth Pack	Width (A) of booth	Approx. net weight (booth only)
ECB-2	2286 mm	300 kg
ECB-3	3429 mm	450 kg
ECB-4	4572 mm	600 kg

For information on larger configurations, please contact your local Donaldson representative

COMPRESSED AIR REQUIREMENTS

- Max. 7 bar
- Pressure range 6-7 bar
- Clean air (max. particle size 50 µm)
- Free of condensate at working temperature
- Max. oil content: 3 mg/m³
- Approx. compressed air usage*: ±50 Nlitres per pulse
(±18 Nm³/h for 10 s pulse interval at 7 bar)

* The indicated value is the consumption per valve

NOISE LEVEL

Fan noise

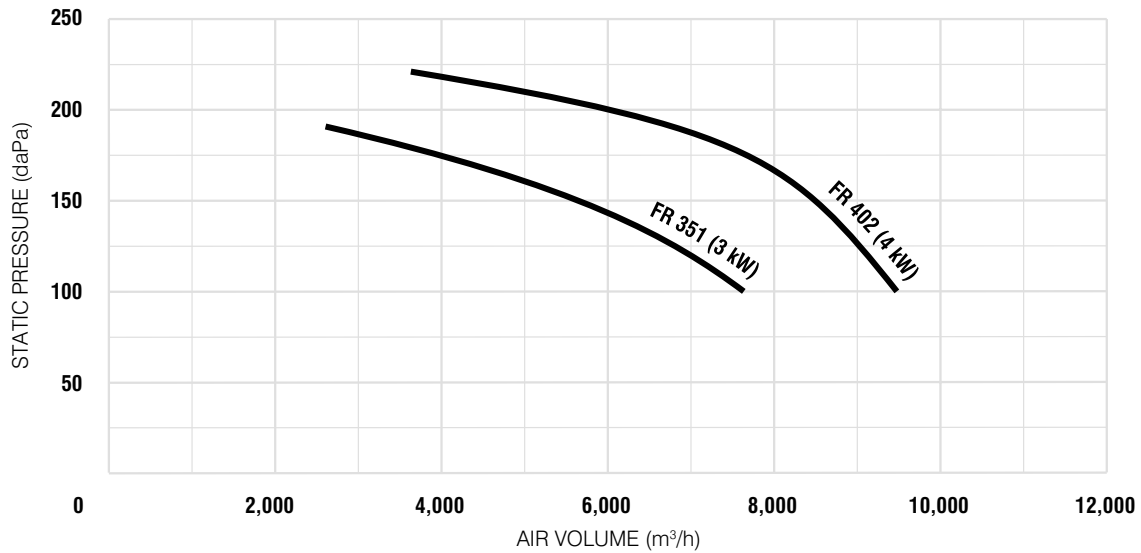
Around unit	$L_{pAeq} < 72$ dB (A-weighted equivalent sound pressure level)
In front of inlet	$L_{pAeq} \leq 73$ dB (A)
Above outlet	$L_{pAeq} \pm 80$ dB (A) with standard roof outlet pack. $L_{pAeq} \leq 75$ dB (A) with optional silencer

Pulse noise *

Fan set off	$L_{pAeq} \leq 80$ dB (A) (Front of module) ≤ 72 dB (A) (Rear of module)
Fan set on	$L_{pAeq} \leq 82$ dB (A) (Front of module) ≤ 78 dB (A) (Rear of module)
	delta Li: ≤ 10 dB (A) (impulse noise content)

For optimum ear protection we recommend either to pulse after the shift (downtime pulsing) or to wear auditive protection.

(*) Measurement according DIN 45635/1 at 1m distance, with 6 bar compressed air pressure, pulse interval of 15s, semi-free field conditions, usual tolerance ± 2 dB.



FAN PERFORMANCE CURVES

FAN SELECTION

These curves indicate static pressure available at fan inlet for a given application, when fitted into a collector.

To select the most suitable fan for a given application:

- 1 Determine the air volume, in m³/h, needed to entrain the dust.
- 2 Estimate pressure drop through connected system – i.e. between point of entrainment and collector inlet.
- 3 Assess pressure drop over dust collector, prior to replacing filter cartridges, usually 100 daPa.
- 4 The sum of 2 and 3 = static pressure at inlet.
- 5 Consult graph for fan performance available.

ELECTRICAL SPECIFICATIONS

Controls

Full automatic cleaning mechanism: Torit Control Board or IPC / IPC (ΔP) Controller
 Pulse time: 100 ms
 Interval time: 10 s
 Voltage input: 400V AC; 3 ph; 50 Hz;
 Control box protection class: IP65
 Solenoid voltage: 24V DC

OPTIONS

Full range of filter cartridges	Joining pack for connecting two modules
Compressed air – oil/water separator and accessories	Downdraft bench
Earthing connection	ATEX certified unit on request



www.toritdce.com
 www.donaldson.com

Humberstone Lane
 Thurmaston
 Leicester LE4 8HP
 England
 Tel +44 (0)116 269 6161
 Fax +44 (0)116 269 3028
 Email: IFS.uk@emea.donaldson.com

Research Park Zone 1
 Interleuvenlaan 1
 B-3001 Leuven (Heverlee)
 Belgium
 Tel +32 (0)16 383 970
 Fax +32 (0)16 383 938
 Email: IFS.be@emea.donaldson.com