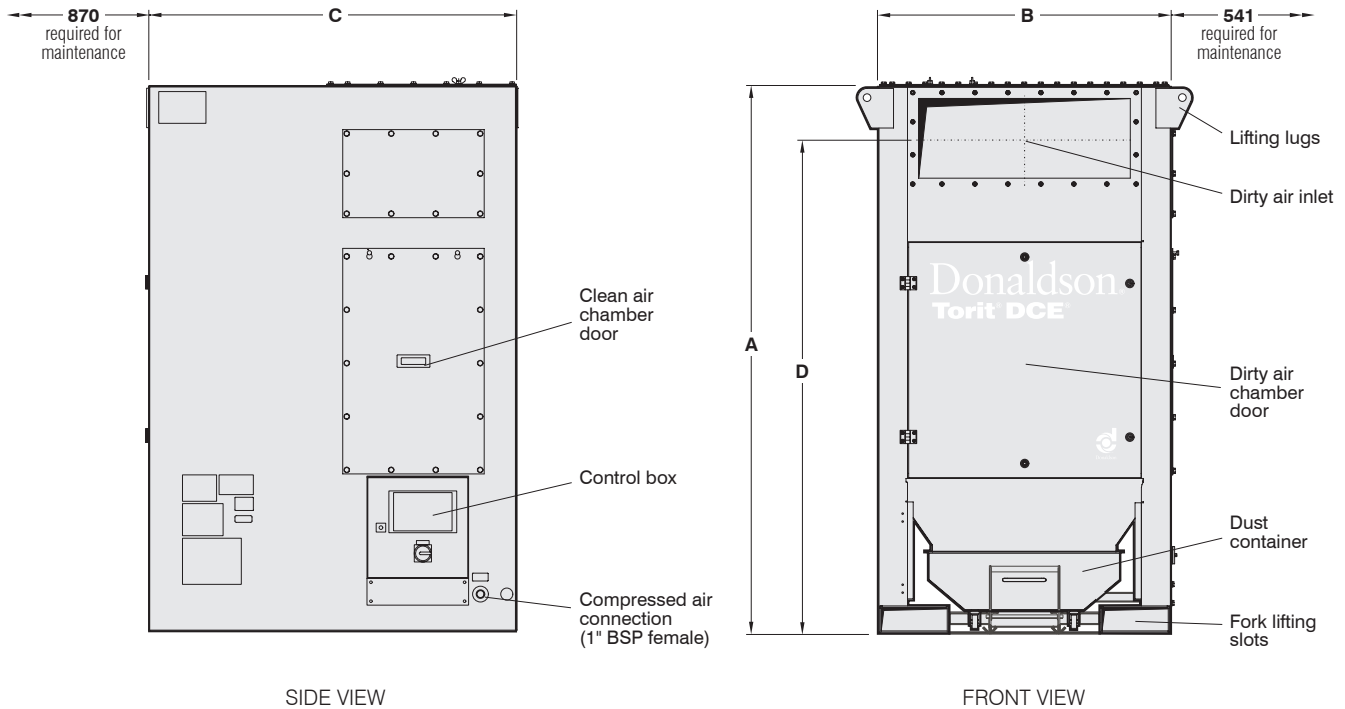


# DFPRO Dust Collectors

## Series DFPRO 3-4 and DFPRO-R 3-4



### DFPRO STANDARD DUST COLLECTOR

DIMENSIONS (in mm)						
	Number of filter elements	Filtration area Ultra Web®	A (Height)	B (Width)	C (Depth)	D (Height to inlet)
<b>DFPRO 3 Standard</b>	3	53.0 m <sup>2</sup>	2100	1104	1400	1900
<b>DFPRO 4 Standard</b>	4	70.6 m <sup>2</sup>	2100	1104	1400	1900
<b>DFPRO 3 Sparktrap</b>	3	53.0 m <sup>2</sup>	2100	1300	1400	250
<b>DFPRO 4 Sparktrap</b>	4	70.6 m <sup>2</sup>	2100	1400	1400	250

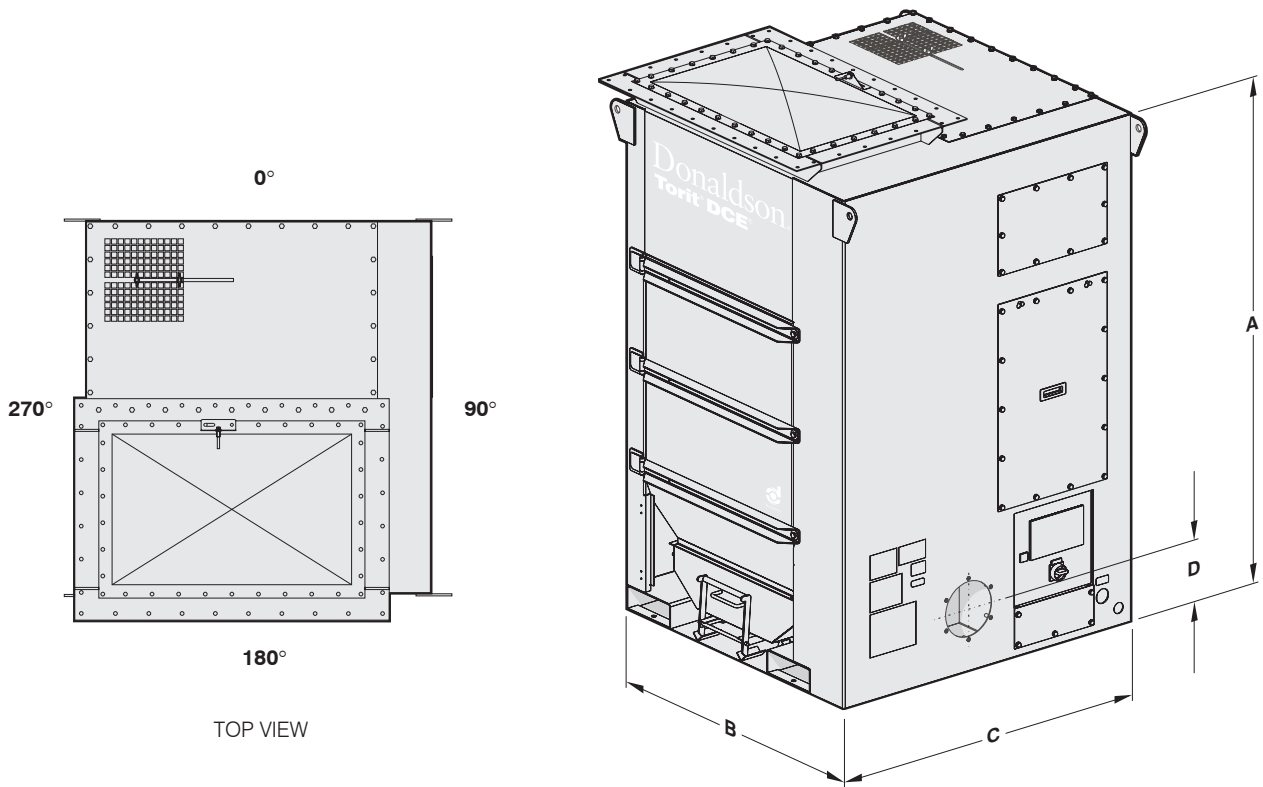
### DESIGN SPECIFICATIONS (standard equipment)

**Operating temperature:** -10° to +65°C

**Maximum operating pressure range:** ±5 kPa (500 mm WG)

**Wind load rating:** 160 km/h

**Finishing:** Acrylated alkyd paint colour RAL 5019 (blue) – semi gloss, textured paint



**DFPRO REINFORCED SPARKTRAP DUST COLLECTOR**

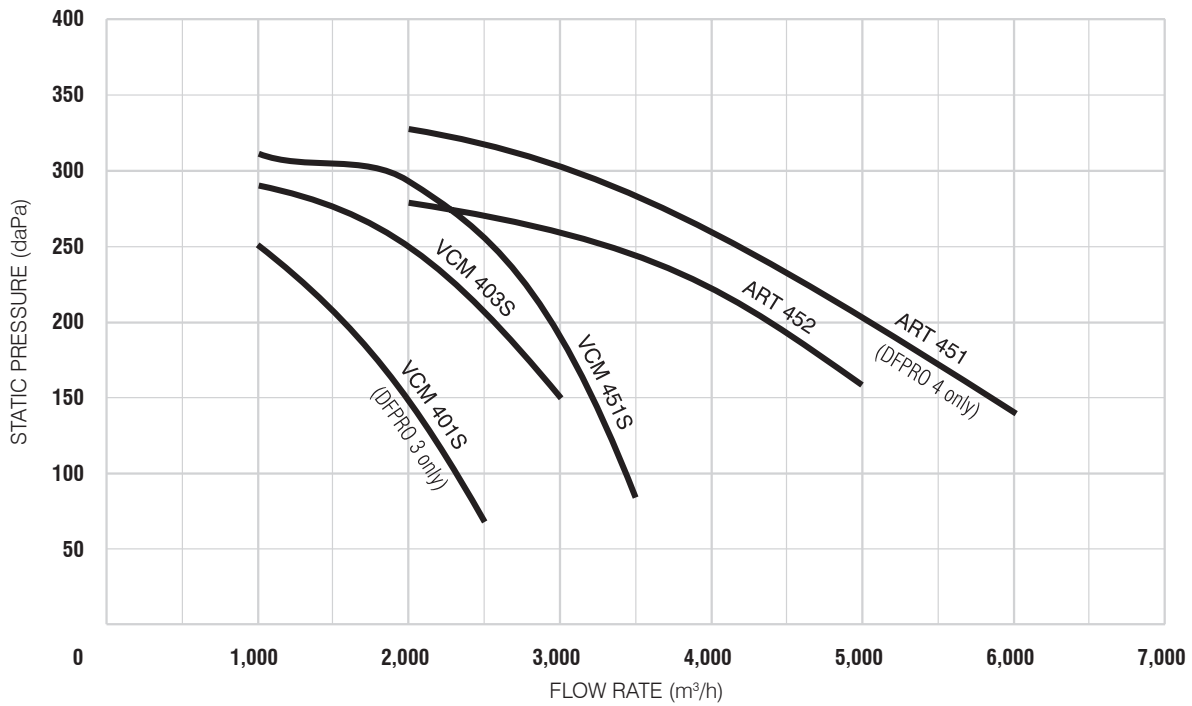
DIMENSIONS (in mm)						
	Number of filter elements	Filtration area Ultra Web®	A (Height)	B (Width)	C (Depth)	D (Height to inlet)
<b>DFPRO 3 Reinforced</b>	3	53.0 m <sup>2</sup>	2260	1104	1460	1900
<b>DFPRO 4 Reinforced</b>	4	70.6 m <sup>2</sup>	2260	1104	1460	1900
<b>DFPRO 3 Reinforced Sparktrap</b>	3	53.0 m <sup>2</sup>	2260	1300	1460	250
<b>DFPRO 4 Reinforced Sparktrap</b>	4	70.6 m <sup>2</sup>	2260	1400	1460	250

COLLECTOR WEIGHTS		
	DFPRO 3	DFPRO 4
<b>Standard</b>	640 kg	650 kg
<b>Reinforced</b>	690 kg	700 kg
<b>Sparktrap</b>	720 kg	750 kg
<b>Reinforced Sparktrap</b>	770 kg	800 kg

• Weights include filter cartridges and are for collectors prior to first use, i.e. with no dust collected  
 • Excludes fan set weight      • Includes bursting panel on Reinforced version

FAN SET WEIGHTS	
VCM 401S (1.5 kW)	36 kg
VCM 403S (2.2 kW)	41 kg
VCM 451S (3 kW)	70 kg
ART 452 (4 kW)	98 kg
ART 451 (5.5 kW)	110 kg

DFPRO Dust Collectors



FAN PERFORMANCE CURVES

FAN SELECTION

These curves indicate static pressure available at fan inlet for a given application, when fitted into a collector.

To select the most suitable fan for a given application:

- 1 Determine the air volume, in m³/h, needed to entrain the dust.
- 2 Estimate pressure drop through connected system – i.e. between point of entrainment and collector inlet.
- 3 Assess pressure drop over dust collector, prior to replacing filter cartridges, usually 100 daPa.
- 4 The sum of 2 and 3 = static pressure at inlet.
- 5 Consult graph for fan performance available.

NOISE LEVEL\*

Pulse noise\*

LpAeq: ≤ 75 dB (A-weighted equivalent continuous sound pressure level)

ΔLi: ≤ 10 dB (impulsive noise content)

\* Measurement according to DIN 45635/1 at 1m distance, with 6 bar compressed air pressure, pulse interval of 15s, semi-free field conditions and usual tolerance ±2 dB.

DIRTY AIR INLET DETAILS

Standard and Reinforced

DIN 24193/2 (mm) 800 x 300

Sparktrap and Reinforced Sparktrap

Pipe (nominal)

NW 140 NW 160  
NW 180 NW 200  
NW 224

### ELECTRICAL SPECIFICATIONS

#### Controls

Full automatic cleaning mechanism: Torit Control Board  
Pulse time: 100 ms  
Interval time: 10 s  
Voltage input: 400V AC; 3 ph; 50 Hz;  
Control box protection class: IP65  
Solenoid voltage: 24V DC

### COMPRESSED AIR REQUIREMENTS

Max. 7 bar  
Pressure range 6-7 bar  
Clean air (max. particle size 50 µm)  
Free of condensate at working temperature  
Max. oil content: 3 mg/m<sup>3</sup>  
Approx. compressed air usage\*: ±45 Nlitres per pulse  
(±16.2 Nm<sup>3</sup>/h for 10 s pulse interval at 7 bar)

\* The indicated value is the consumption per valve

### OPTIONS

- Outside installation
- Full range of filter cartridges
- Equipment suitable for 60Hz power supply
- Pulse noise attenuation down to LpAeq ≤ 70 dB
- Door for dust disposal
- Earthing connection
- Compressed air – oil/water separator and accessories
- Inlet adaptor pieces (front inlet and Sparktrap)
- Blow off channels (vent pipe) on Reinforced version for indoor installations (1, 2 or 3m lengths)
- IAF Feeder for the absorption of oily substances

Equipment suitable for use in a potentially explosive atmosphere (Directive 94/9/EC) satisfying the requirements for group II category 2D and 3D T125°C is available