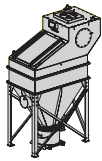


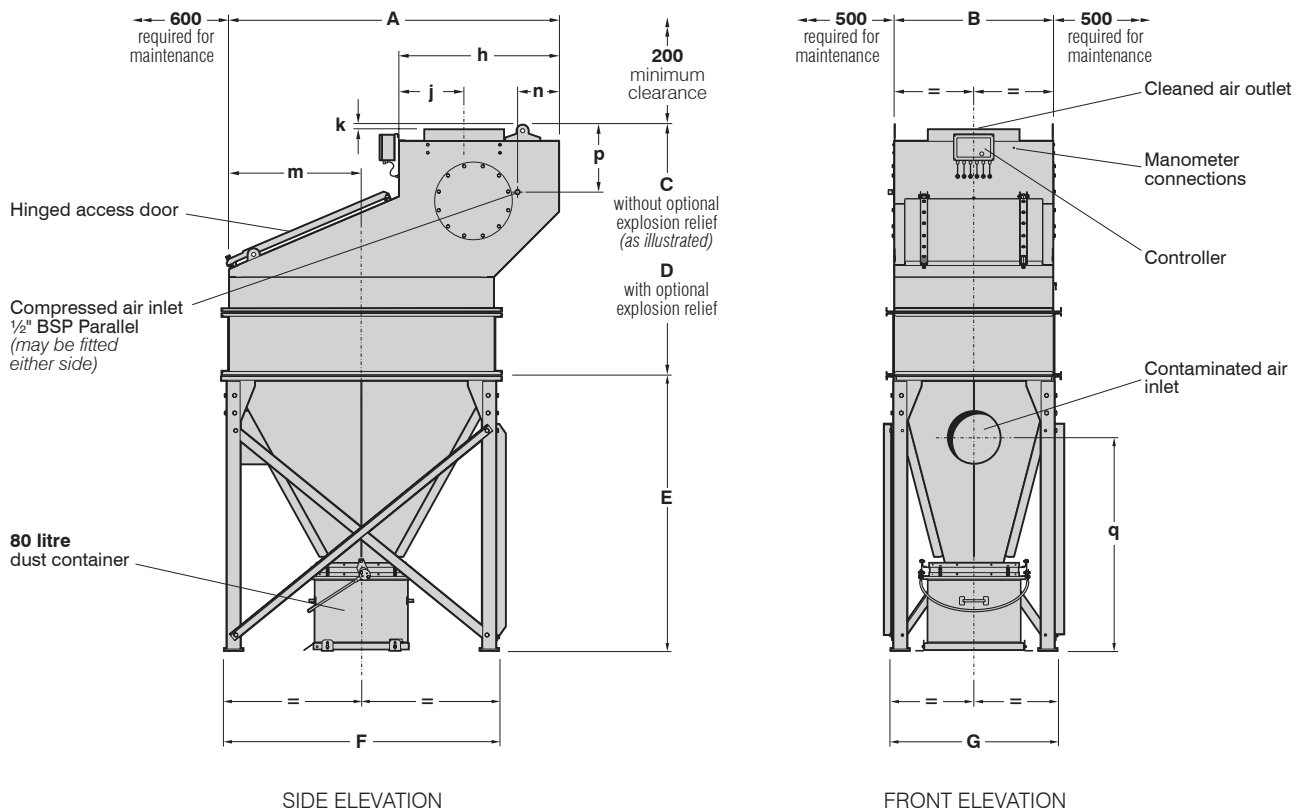
PowerCore® Dust Collectors

Series CPC

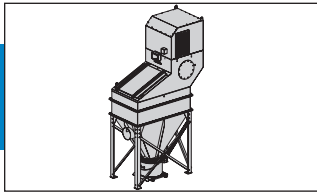


POWERCORE DUST COLLECTOR WITH DUST CONTAINER (without fan). (CPC-6 illustrated).

Suitable for inside locations and outside when fitted with optional weather cowl.

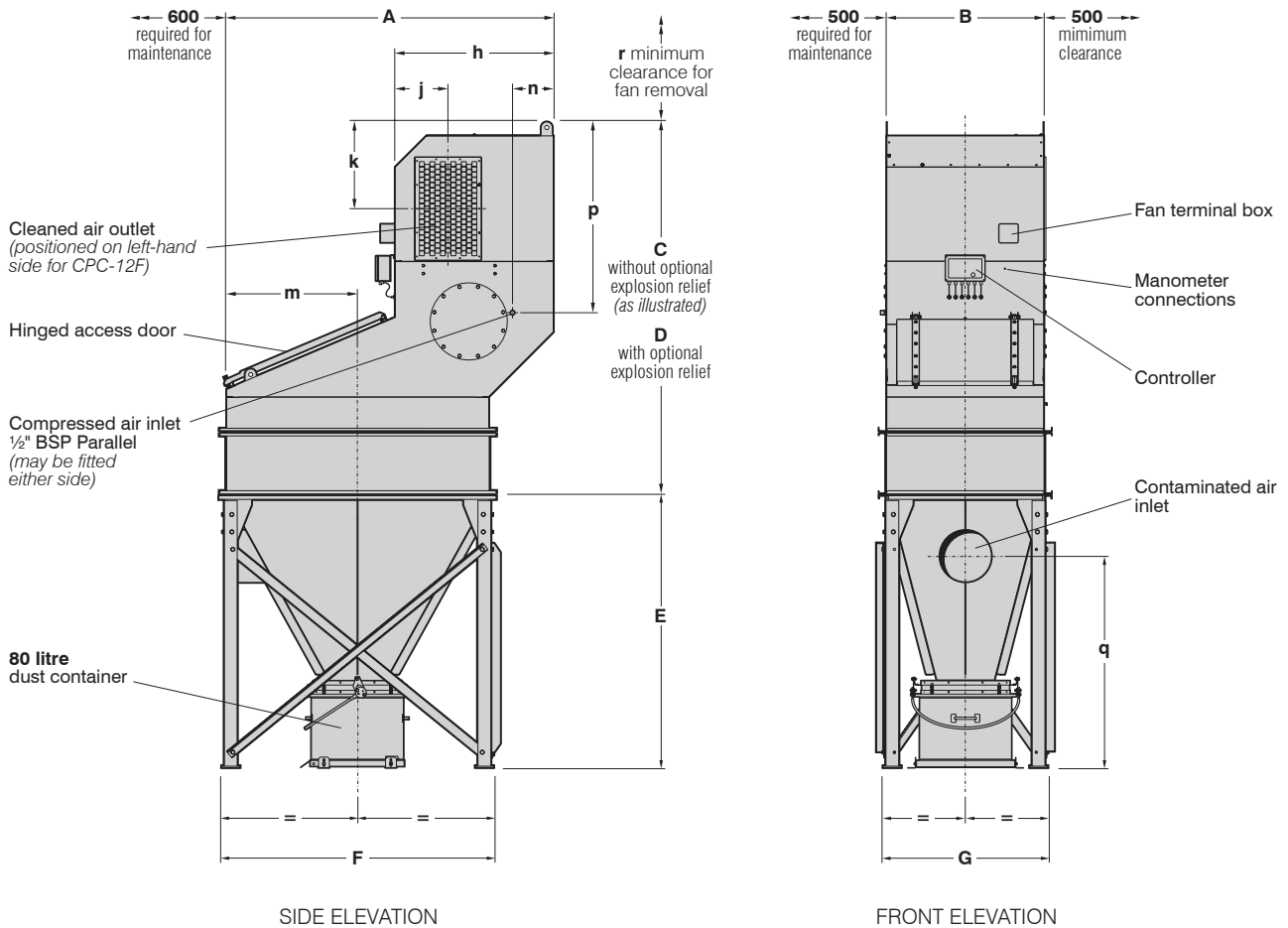


Type	Filtration area (Ultra-Web®)	Number of filter packs	Inlet spigot (inside dia.)	DIMENSIONS in mm													
				A	B	C	D	E	F	G	h	j	k	m	n	p	q
CPC-3	18.6 m ²	3	∅200 mm	1247	915	1385	1385	1017	959	981	850	345	25	444	200	270	848
CPC-4	24.8 m ²	4	∅200 mm	1247	1169	1385	1385	1237	959	1305	850	345	25	444	200	270	995
CPC-6	37.2 m ²	6	∅300 mm	2060	995	1553	1769	1657	1717	1057	1000	405	25	825	260	423	1275
CPC-8	49.6 m ²	8	∅300 mm	2060	1169	1553	1769	1657	1717	1231	1000	405	25	825	260	423	1275
CPC-12	74.4 m ²	12	∅400 mm	2060	1728	1553	1919	1720	1717	1790	1000	405	25	825	260	423	1317

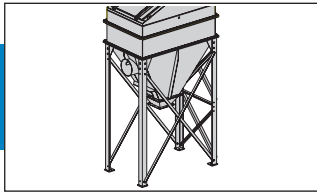


**POWERCORE DUST COLLECTOR WITH DUST CONTAINER
(with integral fan)**

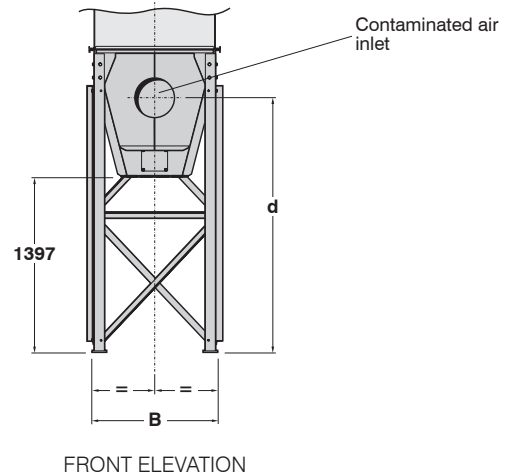
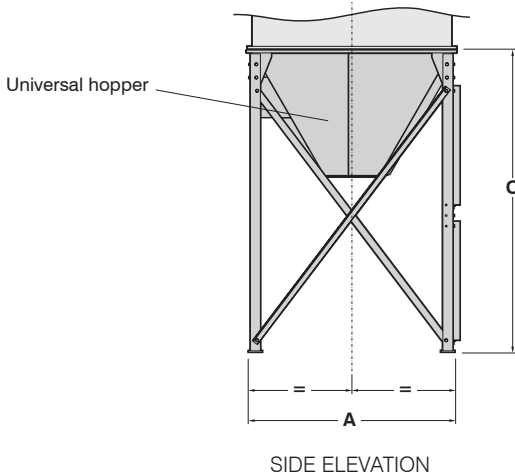
Suitable for inside and outside locations. (CPC-6F illustrated).



Type	Filtration area (Ultra-Web®)	Number of filter packs	Inlet spigot (inside dia.)	Fan	DIMENSIONS in mm														
					A	B	C	D	E	F	G	h	j	k	m	n	p	q	r
CPC-3F	18.6 m ²	3	Ø200 mm	K5 K7 SF40 K10	1247	915	2108	2108	1017	959	981	850	312	508	444	200	993	848	650
CPC-4F	24.8 m ²	4	Ø200 mm	K7 SF40 K10	1247	1169	2163	2163	1237	959	1305	850	312	563	444	200	1048	995	700
CPC-6F	37.2 m ²	6	Ø300 mm	K10	2060		2331	2547				1000	335	548		260	1201		700
				K11	2060	995	2331	2547	1657	1717	1057	1000	335	548	825	260	1201	1275	700
				K15	2180		2641	2857				1240	425	733		380	1511		1015
CPC-8F	49.6 m ²	8	Ø300 mm	K11 K15	2060	1169	2331	2547	1657	1717	1231	1000	335	548	825	260	1201	1275	700
CPC-12F	74.4 m ²	12	Ø400 mm	K15 ART 562	2060	1728	2553	2919	1720	1717	1790	1000	500	720	825	260	1423	1317	1100

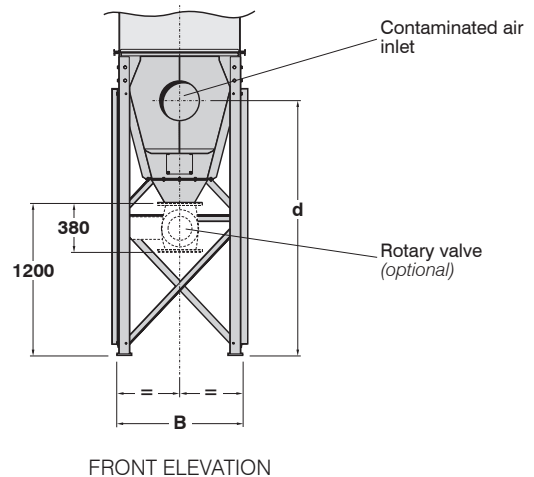
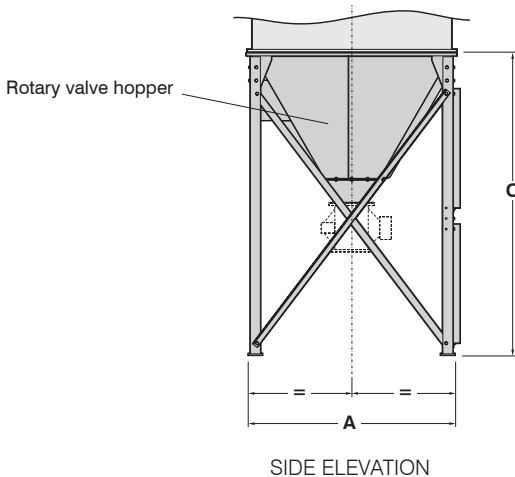


ALTERNATIVE HOPPER AND SUPPORT ARRANGEMENTS
(CPC-6 illustrated)



Universal hopper

Type	A	B	C	d
CPC-3U and CPC-3FU	959 mm	981 mm	1801 mm	1666 mm
CPC-4U and CPC-4FU	959 mm	1305 mm	2021 mm	1813 mm
CPC-6U and CPC-6FU	1717 mm	1057 mm	2442 mm	2094 mm
CPC-8U and CPC-8FU	1717 mm	1231 mm	2442 mm	2094 mm
CPC-12U and CPC-12FU	1717 mm	1790 mm	2505 mm	2136 mm

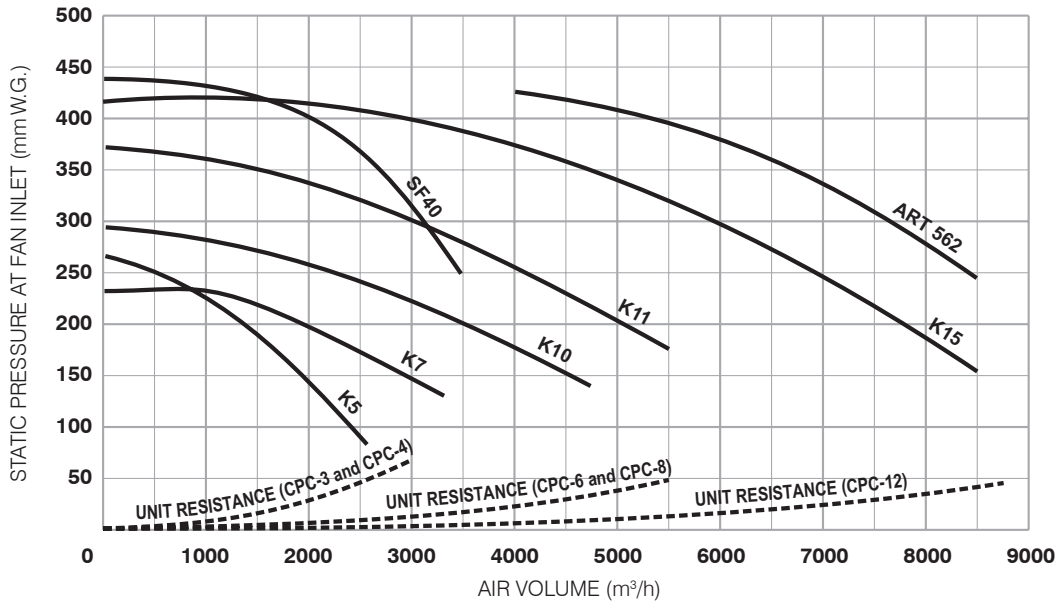


Rotary valve hopper

Type	A	B	C	d
CPC-3R and CPC-3FR	959 mm	981 mm	1801 mm	1666 mm
CPC-4R and CPC-4FR	959 mm	1305 mm	2021 mm	1813 mm
CPC-6R and CPC-6FR	1717 mm	1057 mm	2442 mm	2094 mm
CPC-8R and CPC-8FR	1717 mm	1231 mm	2442 mm	2094 mm
CPC-12R and CPC-12FR	1717 mm	1790 mm	2505 mm	2136 mm



FAN SELECTION

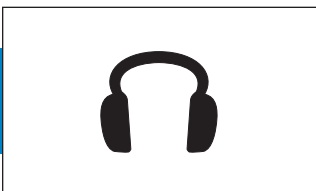


Unit performance curves
Estimated data

These curves indicate static pressure available at fan inlet for a given volume when fitted inside a PowerCore CPC dust collector.

To select the most suitable fan for a given application:

- 1 Determine the air volume, in m³/h, needed to entrain the dust.
- 2 Read off the unit resistance, in mm W.G., at air volume required.
- 3 Assess pressure drop over dust collector, prior to cleaning, usually 100 mm W.G.
- 4 Estimate pressure drop through connected system – i.e. between point of entrainment and collector inlet.
- 5 The sum of 2, 3 and 4 = W.G. required.
- 6 Consult graph for fan performance available.



NOISE LEVELS

Machinery noise levels are an important consideration in the design and selection of new equipment. Several EC Directives and National Laws/Regulations adopting these directives make reference to airborne noise emissions. Actions that employers are required to comply with if employees are subjected to a daily personal noise exposure level of 80 dB(A) or more are also specified.

All readings were taken in normal industrial areas, i.e. semi-reverberant surroundings, with local equipment silent. Measurements were taken at maximum air flow conditions at 1.0 metre radius from the equipment housing and 1.6 metres above base level, using a precision sound level meter and octave filter.

K5	K7	SF 40	K10	K11	K15	ART 562
(2.2 kW)	(3.0 kW)	(4.0 kW)	(5.5 kW)	(7.5 kW)	(11.0 kW)	(11.0 kW)
75 dB(A)	77 dB(A)	75 dB(A)	75 dB(A)	79 dB(A)	79 dB(A)	79 dB(A)

Noise levels of installed equipment may vary due to site conditions. Estimated data.



COMPRESSED AIR REQUIREMENTS

Type	Working compressed air pressure ^a		Atmospheric air volume – F.A.D. ^b at 12 s intervals ^c		Pulse duration
CPC-3	6.2 bar	90 psig	16m ³ /h	9.4 cfm	100ms
CPC-4	6.2 bar	90 psig	20m ³ /h*	11.8 cfm*	100ms
CPC-6	6.2 bar	90 psig	16m ³ /h	9.4 cfm	100ms
CPC-8	6.2 bar	90 psig	20m ³ /h*	11.8 cfm*	100ms
CPC-12	6.2 bar	90 psig	25m ³ /h	14.7 cfm	100ms

^aNormal operating pressure. ^bRecommended atmospheric air volume of clean, dry compressed air.

^cRecommended initial settings; these may be varied with experience.

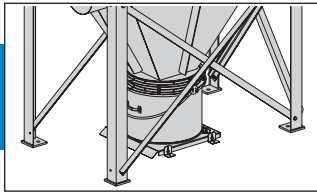
* Estimated data.



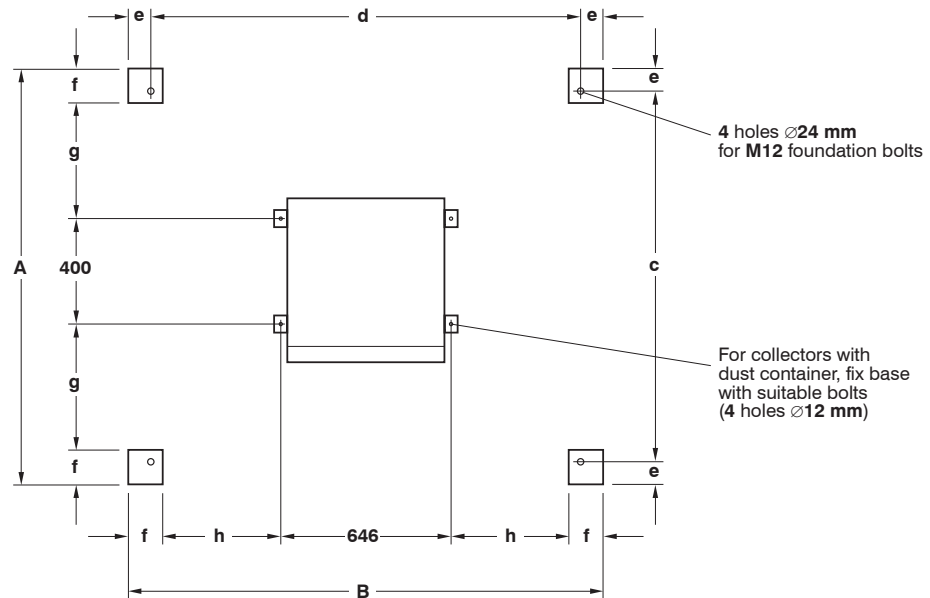
NET WEIGHTS

Collector with dust container			Collector with universal hopper			Collector with rotary valve hopper		
Type	Fan type	Net weight (approx.)	Type	Fan type	Net weight (approx.)	Type	Fan type	Net weight (approx.)
CPC-3	–	403 kg	CPC-3U	–	418 kg	CPC-3R	–	433 kg
CPC-3F	K5	563 kg	CPC-3FU	K5	578 kg	CPC-3FR	K5	593 kg
	K7	588 kg		K7	603 kg		K7	618 kg
	SF40	639 kg		SF40	654 kg		SF40	669 kg
	K10	618 kg		K10	633 kg		K10	648 kg
CPC-4	–	484 kg	CPC-4U	–	500 kg	CPC-4R	–	515 kg
CPC-4F	K7	690 kg	CPC-4FU	K7	706 kg	CPC-4FR	K7	721 kg
	SF40	741 kg		SF40	757 kg		SF40	772 kg
	K10	720 kg		K10	736 kg		K10	751 kg
CPC-6	–	704 kg	CPC-6U	–	728 kg	CPC-6R	–	743 kg
CPC-6F	K10	914 kg	CPC-6FU	K10	937 kg	CPC-6FR	K10	953 kg
	K11	974 kg		K11	997 kg		K11	1013 kg
	K15	1097 kg		K15	1121 kg		K15	1136 kg
CPC-8	–	767 kg	CPC-8U	–	781 kg	CPC-8R	–	796 kg
CPC-8F	K11	1043 kg	CPC-8FU	K11	1057 kg	CPC-8FR	K11	1072 kg
	K15	1175 kg		K15	1189 kg		K15	1204 kg
CPC-12	–	987 kg	CPC-12U	–	1000 kg	CPC-12R	–	1015 kg
CPC-12F	K15	1443 kg	CPC-12FU	K15	1456 kg	CPC-12FR	K15	1472 kg
	ART 562	1448 kg		ART 562	1461 kg		ART 562	1477 kg

All weights shown indicate heaviest configuration.

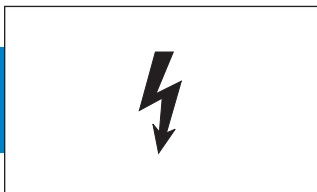


FOUNDATION DETAILS
(CPC-12 illustrated)



FRONT OF COLLECTOR

Type	A	B	c	d	e	f	g	h
CPC-3	959 mm	981 mm	819 mm	841 mm	70 mm	110 mm	169.5 mm	57.5 mm
CPC-4	959 mm	1305 mm	819 mm	1165 mm	70 mm	110 mm	169.5 mm	219.5 mm
CPC-6	1717 mm	1057 mm	1547 mm	887 mm	85 mm	130 mm	528.5 mm	75.5 mm
CPC-8	1717 mm	1231 mm	1547 mm	1061 mm	85 mm	130 mm	528.5 mm	162.5 mm
CPC-12	1717 mm	1790 mm	1547 mm	1620 mm	85 mm	130 mm	528.5 mm	442 mm



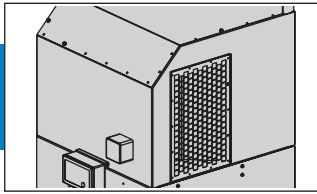
ELECTRICAL REQUIREMENTS

IPC Controller, IPC (ΔP) Controller or Total Control Board (TCB):

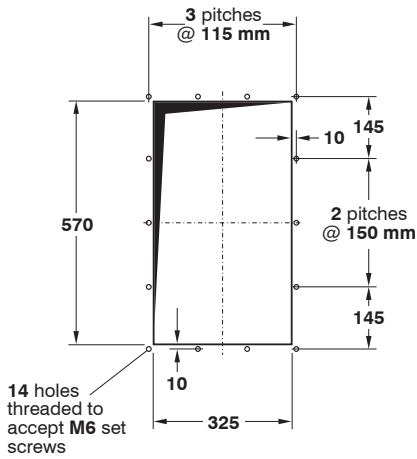
Voltage input (IPC or IPC (ΔP)): AC version: 105-120V, 200-240V (±10%), Single Phase, 50/60Hz
DC version: 24V

Voltage input (TCB): 400V AC, Three Phase, 50Hz

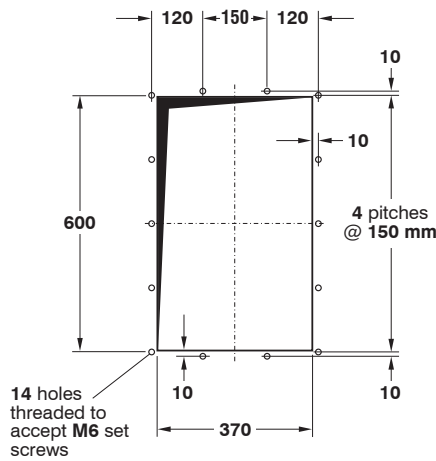
Fan motor: To suit local voltage



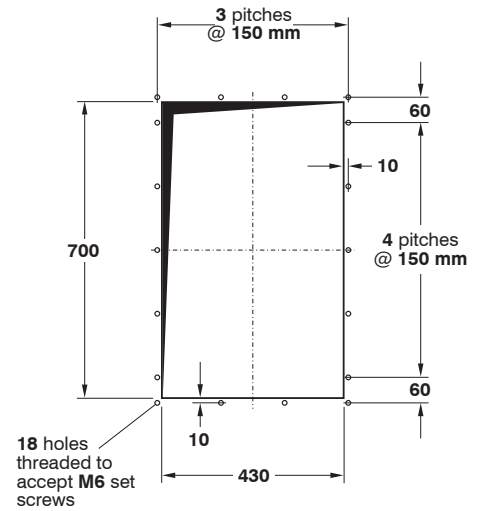
CLEANED AIR OUTLET DETAILS FOR COLLECTORS WITH FAN (outlet grille removed)



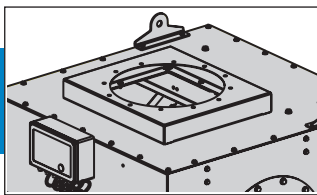
CPC-3F and CPC-4F



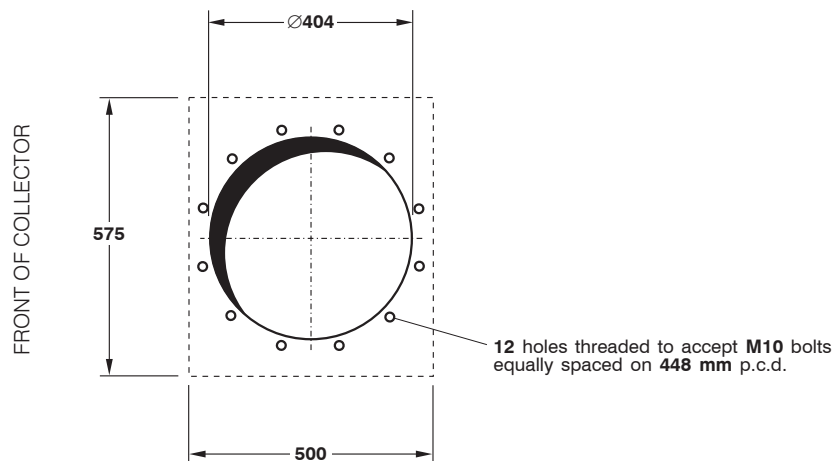
CPC-6F and CPC-8F

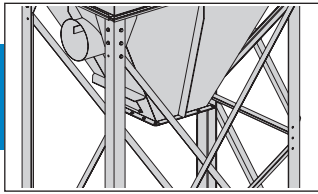


CPC-6F K15, CPC-8F K15 and CPC-12F

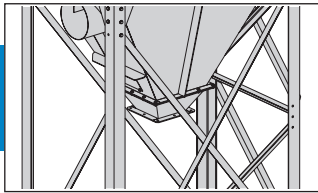
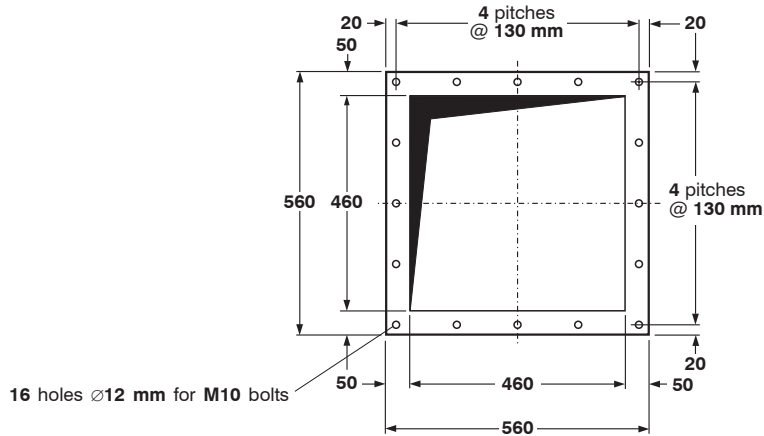


**CLEANED AIR OUTLET DETAILS FOR COLLECTORS WITHOUT FAN
DIN 24154/2**

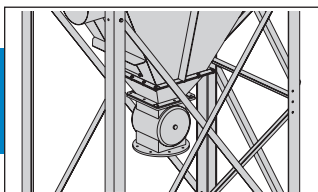
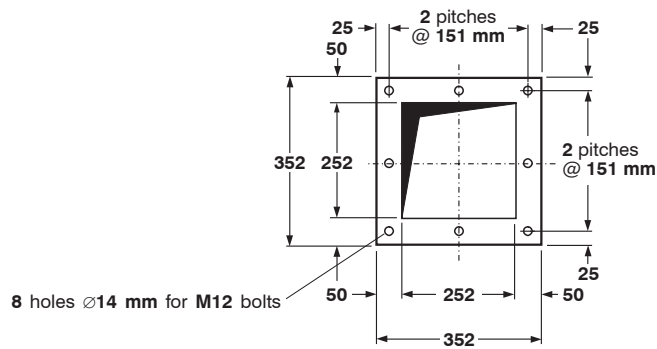




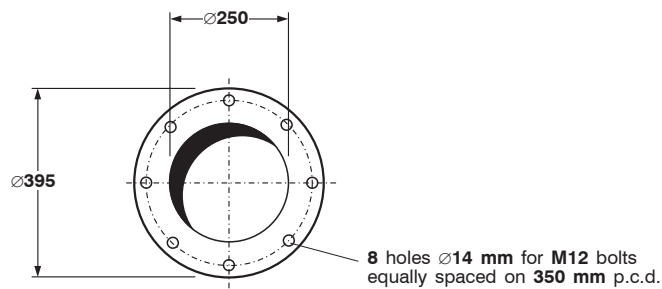
UNIVERSAL HOPPER OUTLET FLANGE DETAILS

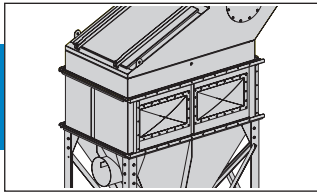


ROTARY VALVE HOPPER OUTLET FLANGE DETAILS

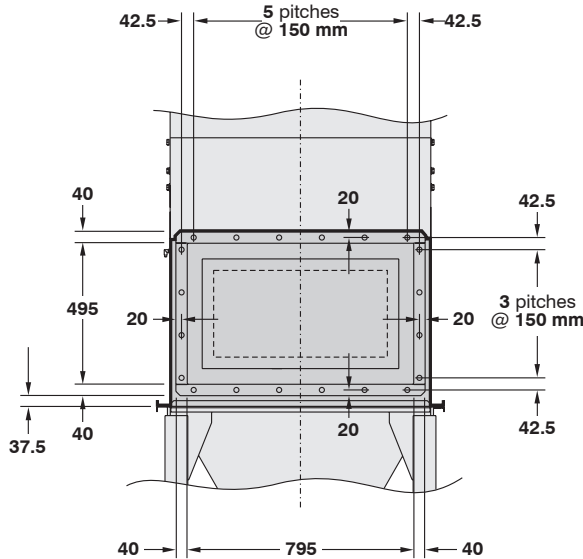


**ROTARY VALVE OUTLET FLANGE DETAILS
(for rotary valve supplied by Donaldson)**

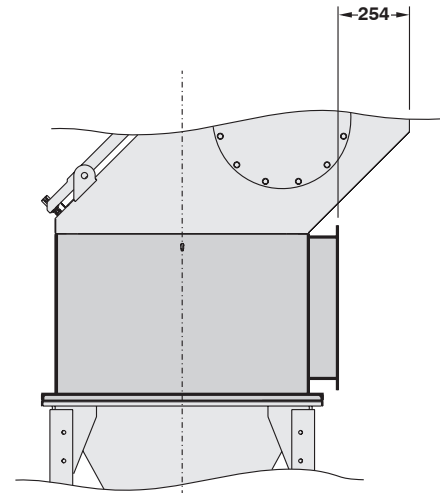




**OPTIONAL EXPLOSION RELIEF (CPC-3, -4, -6 and -8)
(showing flange mounting details)**



REAR ELEVATION

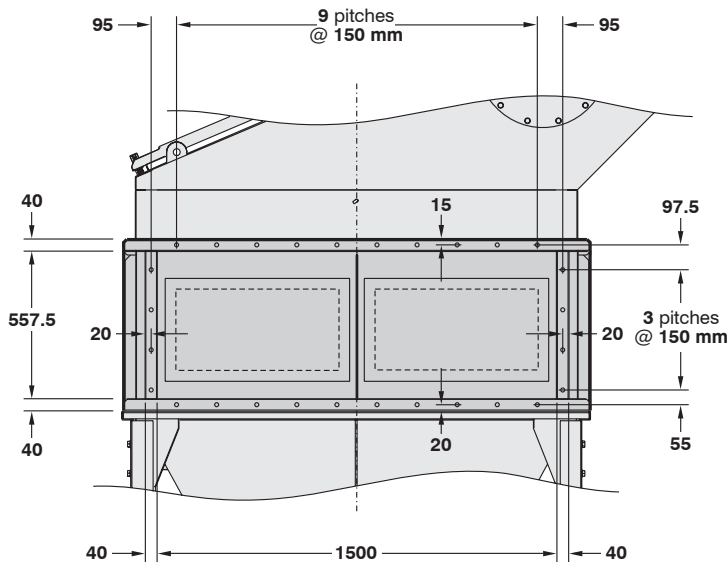


SIDE ELEVATION

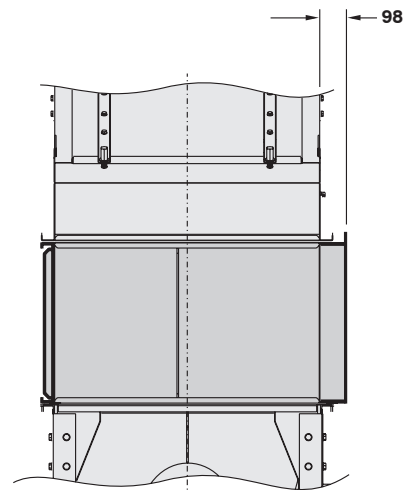
CPC-3 and CPC-4

All holes $\varnothing 12$ mm for M10 bolts.

If a vent duct is not connected to the explosion relief flange, then a minimum clearance of 500 mm should be made to the rear of the collector to ensure efficient operation of the explosion venting process. Consideration should be given to the local surrounding area with regards to the pressure and flame effects.



SIDE ELEVATION



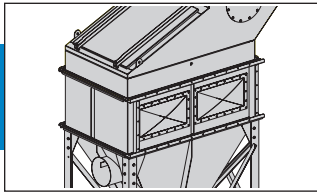
FRONT ELEVATION

CPC-6 and CPC-8

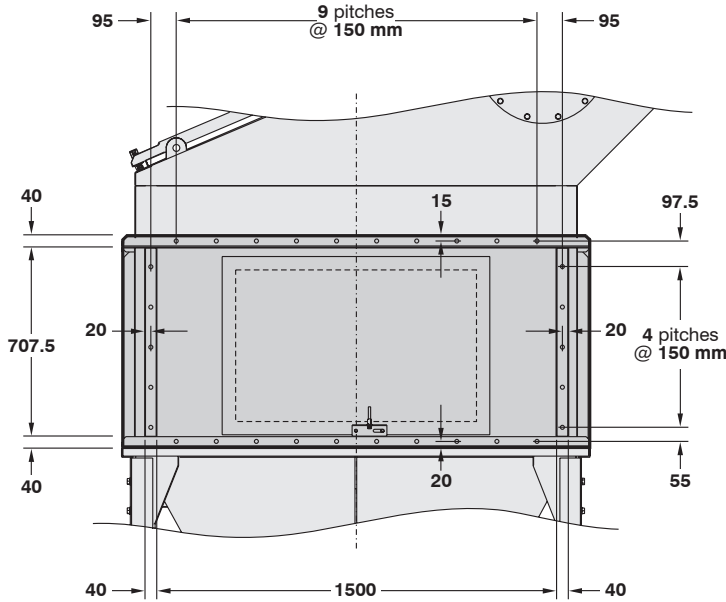
(Explosion relief may be fitted either side)

Top and vertical flange holes $\varnothing 10$ mm for M8 bolts. Bottom flange holes threaded to accept M8 bolts.

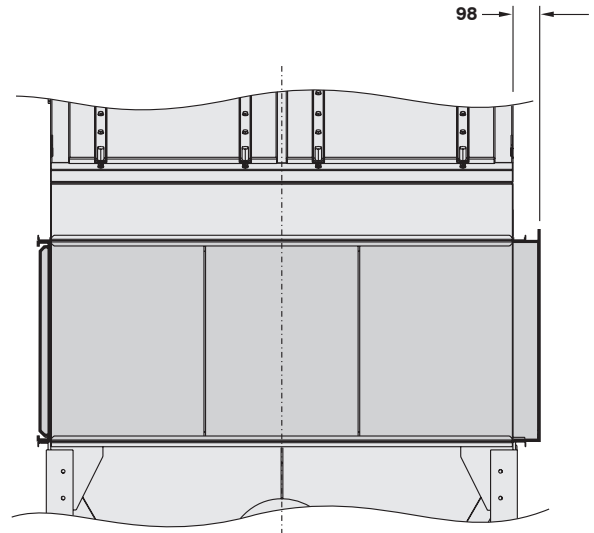
If a vent duct is not connected to the explosion relief flange, then a minimum clearance of 500 mm should be made to the side of the collector to ensure efficient operation of the explosion venting process. Consideration should be given to the local surrounding area with regards to the pressure and flame effects.



OPTIONAL EXPLOSION RELIEF (CPC-12)
(showing flange mounting details)



SIDE ELEVATION



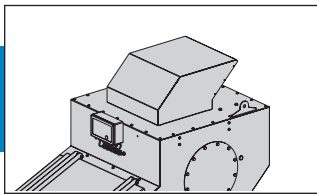
FRONT ELEVATION

CPC-12

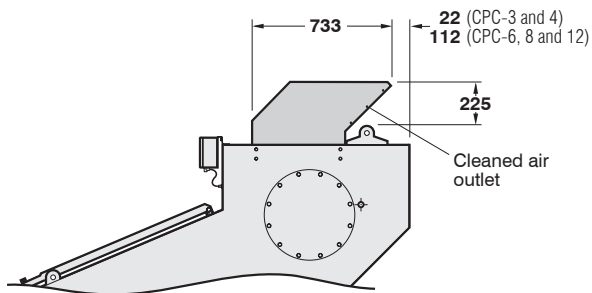
(Explosion relief may be fitted either side)

Top and vertical flange holes $\varnothing 10$ mm for M8 bolts. Bottom flange holes threaded to accept M8 bolts.

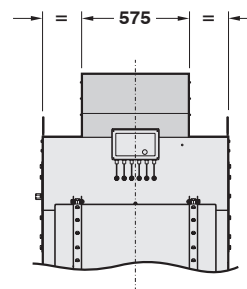
If a vent duct is not connected to the explosion relief flange, then a minimum clearance of 500 mm should be made to the side of the collector to ensure efficient operation of the explosion venting process. Consideration should be given to the local surrounding area with regards to the pressure and flame effects.



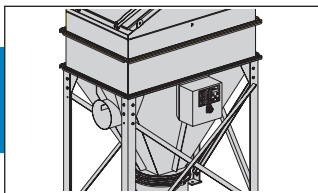
OPTIONAL WEATHER COWL
(CPC-6 illustrated)



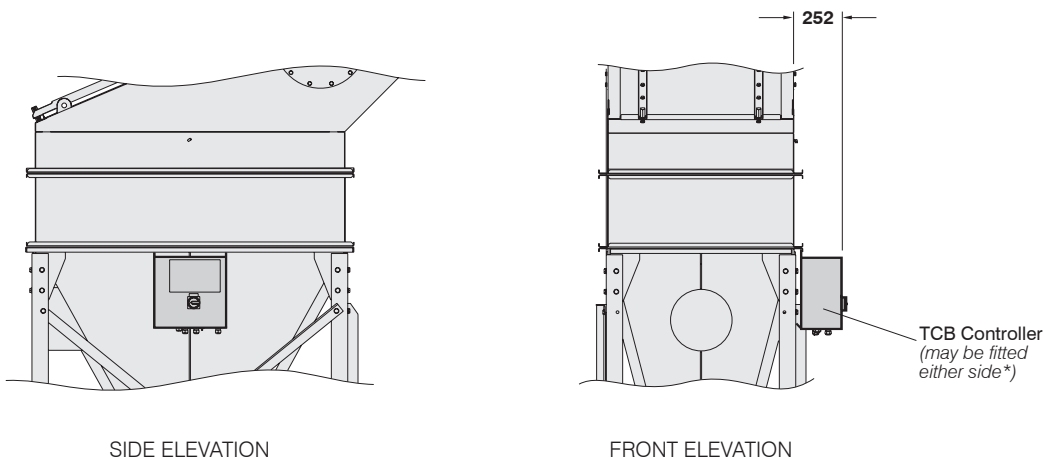
SIDE ELEVATION



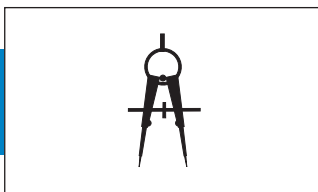
FRONT ELEVATION



OPTIONAL TCB CONTROLLER
(CPC-6 illustrated)



* The TCB Controller must be fitted on the opposite side to the explosion panels on CPC-6, CPC-8 and CPC-12 collectors fitted with explosion relief.



DESIGN LIMITS (standard equipment)

Temperature range: -10° to +60°C

Pressure limits: Collectors without fan: -500 mmW.G. (For positive pressures please refer to Donaldson)
Collectors with fan: as fan performance curves from shut-off to operating pressure

Dimension tolerances: ±5 mm on main dimensions; ±2 mm on detail dimensions

Paint finish: Quick air drying RAL 5019 (blue), spatter finish, semi-gloss

Equipment is available suitable for use in a potentially explosive atmosphere (Directive 94/9/EC) satisfying the requirements for group II category 2G or 2D and 3G or 3D T135°C



www.donaldson.com

Humberstone Lane
Thurmaston
Leicester LE4 8HP
England

Tel +44 (0)116 269 6161
Fax +44 (0)116 269 3028

Email: IFS-uk@donaldson.com

Research Park Building No. 1303
Interleuvenlaan 1
B-3001 Leuven (Heverlee)
Belgium

Tel +32 (0)16 383 970
Fax +32 (0)16 383 938

Email: IFS-europe@donaldson.com